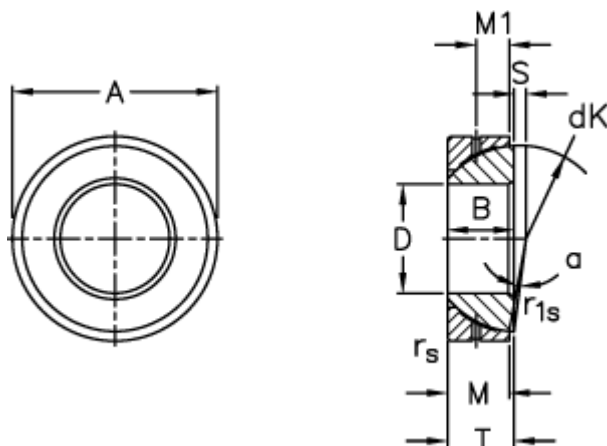


Article number: 03509030

Description: Fluro Rod end GE 30SX

## Measures



A	= 55 0 -0,016	S	= 1.3
B	= 17	Static load C0 (kN)	= 315
D	= 30 0 -0,012	T	= 17 +0,25 -0,40
dK	= 49.5	Tilt angle	= 4.5
Dynamic load C (kN)	= 63	Weight	= 208
M	= 15		
M1	= 8.5		
rs, r1s min	= 1		